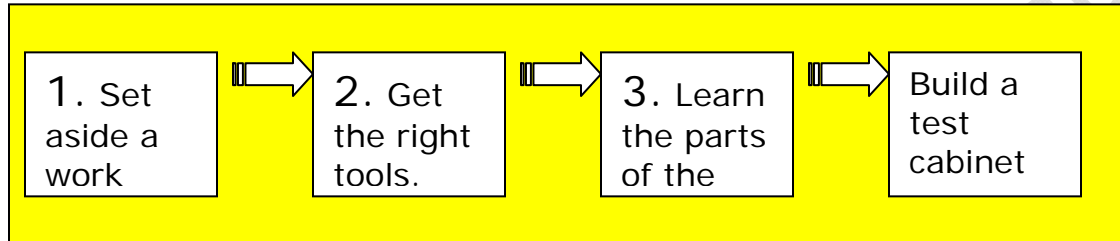


Domain Cabinets Direct

How to assemble an RTA wall cabinet

For some, cabinet assembly may seem to be a bit scary and if you haven't done it before you will probably assume that it is very complicated. However, that is not the case. The manufacturers of our cabinets are well aware of the need to speed up the installation process and, for that reason, have designed our cabinets to be easy to assemble. After all, no one can install a cabinet until it is assembled. In order to assemble a cabinet from Domain Cabinets Direct there are three easy steps to read before you start.



Initial Step 1. First, be sure you have an adequate work surface. The best surface is elevated such as a workbench. However, many choose to assemble their cabinets on the garage floor or in an area near the place that the cabinets are to be assembled. Wherever you choose, be sure that the work surface is covered with a non-marring material, such as an inexpensive piece of carpet or carpet remnant.

Initial Step 2. The second step is to be sure that you have the right tools. You will need,

- a) a #2 flat and Philips screw driver
- b) a cordless screwdriver (drill motor) and bit tip holder and # 2 Phillips tips.
- c) a few clean shop rags
- d) good fitting gloves
- e) safety glasses
- f) a tape measure
- g) and a bottle of carpenter's glue



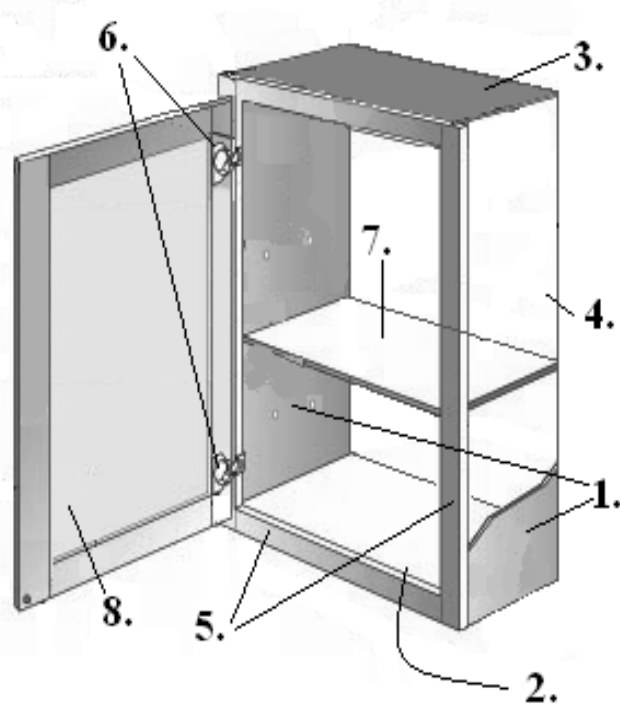
That's pretty much it. (Print and take this list with you to the hardware store). Lastly, it might be helpful to get an extra pair of hands to hold an edge or to hand you a tool. We recommend someone you get along with!

Initial Step 3. The third is to be familiar with all the cabinet parts. We recommend that you start building with a simple and small wall cabinet. There is a very quick learning curve to building a cabinet, and if you start small you will learn the basics before going on to tackle drawers. Additionally, it is better to build one very slowly until you get good at it.

A typical wall cabinet takes a pro- about 15- 30 minutes to unpack and assemble. If it is your first one, take a little more time to assemble it and make the first one a pleasant and calm experience.

There are seven main parts to a cabinet (there are also drawers and accessories).

1. Sides (aka standards)
2. Bottom
3. Top
4. Back (some cabinets are backless, i.e. some sink cabinets among others)
5. Face frame (Not on all cabinets)
6. Shelves
7. Hardware
8. Door



Wall cabinet cutaway

Build a test cabinet using a w-3016 wall cabinet.

Do not use a tool belt because you could accidentally rub the cabinet and scratch the surface

Step 1. Gloves and safety glasses on.
Lay out your tools near to you (fig 1).



(fig 1)



Step 2. Open the box, if you use a box cutter be careful not to cut into the cabinet.

Box cutters can damage the wood.

Step 3. Lay out the face frame onto the non-marring work surface and locate

the correct number of assembly screws (fig 2). For your first cabinet it may be better to "dry build" rather than glue set. You can always take the cabinet apart and glue it after you have learned the whole assembly process.

(fig 2)



Be sure to work on a non-marring surface so you won't scratch

Lay out the materials

Step 4. Set the screws into the frame being careful not to over tighten (fig 3). It is best to start them with the cordless or corded drill driver but to finish the last bit of tightening by hand. After a few times you will get the hang of it and be able to use the drill driver but remember a little power goes a long a way and is it all too easy to over- tighten. It takes a little time to get the skill but a little patience is a good thing.

Do not over tighten screws!

(fig 3)



Attach set pins and glue face frame

Remember to wipe off excess glue.

Step 5. Now that the screws are set into the face frame, apply a small bead of glue to face frame(fig 3), *Note: many installation contractors skip the glue, and place one of the sides (standards) onto the face frame over the screws which are sticking out, be sure to orient the side (top and bottom) and be sure you have the correct side (right or left) (fig 4). Then place an inset fastener into the hole in the side, over the set screw, and turn to tighten (Clockwise) using a hand screw driver (fig 4). Repeat for the other set screw. Remember to wipe off excess glue with a damp cloth.

(fig 4)



Attach sides

Step 6. The next parts to assemble are the top and bottom. Orient the top and connect it using the correct screws (fig 5). And then repeat to attach the top.

Step 7. Then repeat step 4 for the other side (standard) (fig 5).

Wait for the glue to dry before installing the cabinet.

Step 8. Slide the back panel on (fig 5).

(fig 5)



Attach the top, bottom, and back

Step 9. And set the cabinet aside in a level place to wait for the glue to dry.

That's it! Not too complicated.

Whether you are building a wall cabinet, base cabinet, or pantry the procedure is much the same. We recommend that you put a few more wall cabinets together before moving on. Remember be safe, slow, and clean! We hope you have a fun time assembling your RTA cabinets.